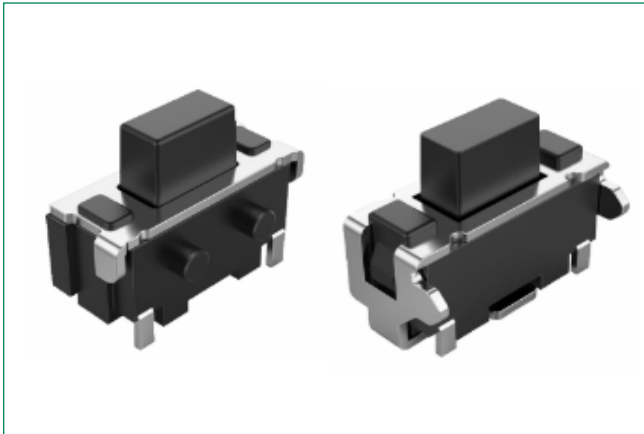


# TS-1121K & TS-1121B

## Microminiature SMT Side Actuated



### Specifications

<b>Function</b>	Momentary action
<b>Contact Arrangement</b>	1 make contact = SPST NO
<b>Terminals</b>	G and front PIP types for SMT
<b>Travel</b>	+ 0.2mm / -
<b>Life</b>	30,000 cycles

### Electrical Characteristics

<b>Max. Voltage</b>	12 VDC
<b>Max. Current DC</b>	50 mA
<b>Dielectric Strength</b>	250 VA C (1mn)
<b>Contact Resistance</b>	≤ 500 mΩ
<b>Insulation Resistance</b>	≥ 100 mΩ
<b>Bounce Time</b>	≤ 10 ms

### Environmental Characteristics

<b>Operating Temperature</b>	-40°C to 85°C
------------------------------	---------------

### Process

<b>Soldering</b>	This component is suited to the following methods: Infrared Reflow Soldering in accordance with IEC61760-1
<b>Packaging</b>	Dimensions of reels according to EIA 481B. External diameter 330 mm.

### Description

The TS-1121 series of microminiature SMT side actuated switches feature a front PIP leads option for strong shear resistance – and a reduced footprint of 4.6 x 1.8mm. The long-lasting, reliable TS-1121 is perfect for applications in the personal health diagnostics, consumer electronics and remote control fields.

### Features & Benefits

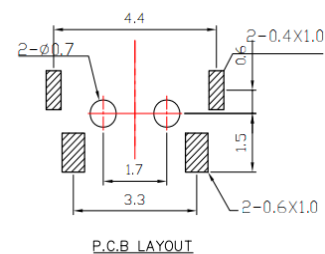
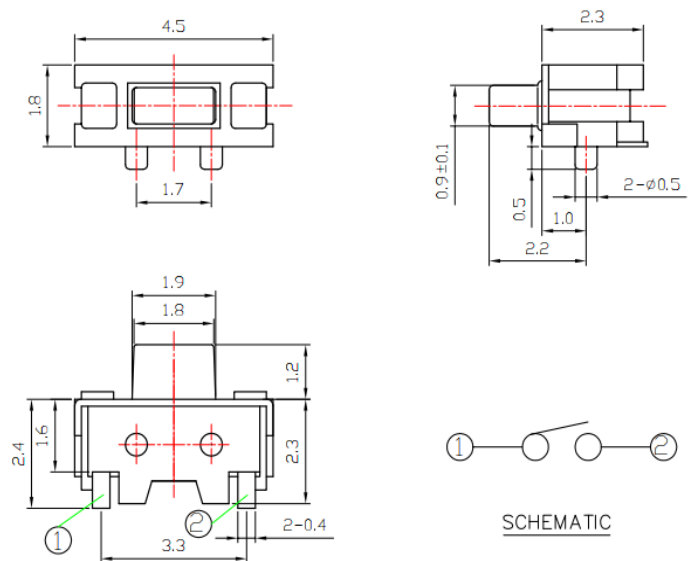
- 4.6x 1.8 mm footprint
- Front PIP leads option for strong shear resistance
- ESD pin option
- Reduced footprint

### Applications

- Nomad devices
- Remote controls
- Personal health diagnostics
- Consumer electronics

## TS-1121K

### Standard G SMT Leads with ESD and Peg options

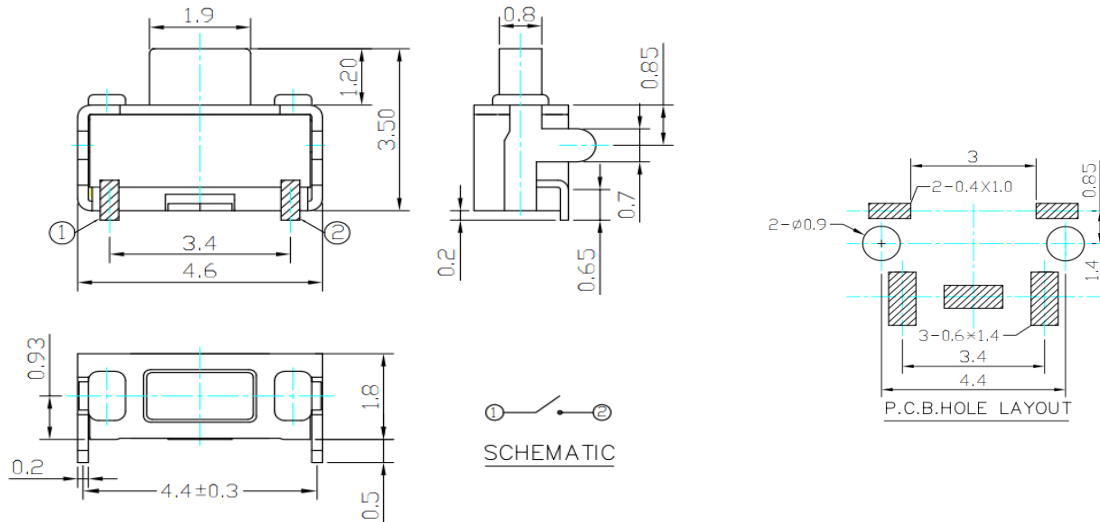


# TS-1121K & TS-1121B

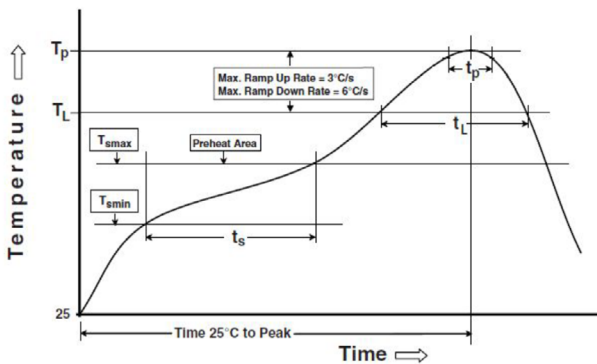
## Microminiature SMT Side Actuated

### TS-1121B

Standard G SMT Leads with ESD and Peg options



### Soldering Profile



<b>T<sub>p</sub></b>	Peak package body temperature 260°C
<b>T<sub>L</sub></b>	Liquidous temperature 217°C
<b>T<sub>s</sub></b>	Preheat temperature 150-200°C
<b>t<sub>s</sub></b>	Preheat time 60-120s
<b>t<sub>p</sub></b>	30s
<b>t<sub>L</sub></b>	60-150s

Soldering: This component is suited to the following methods:

Infrared Reflow Soldering in accordance with IEC61760-1